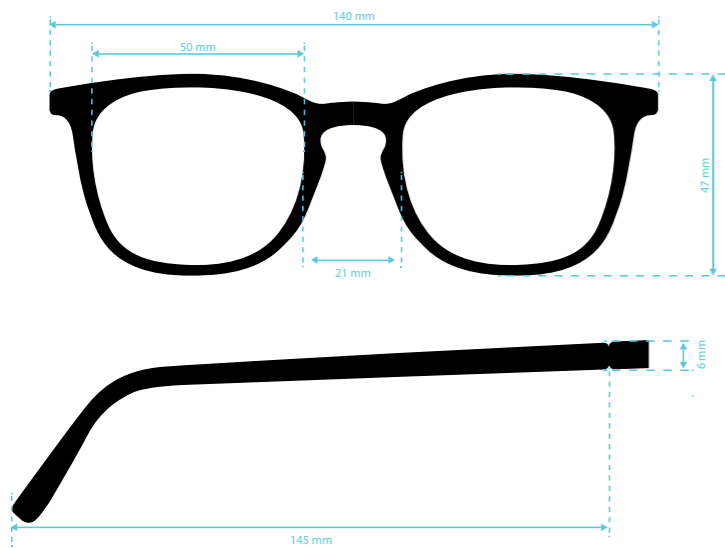




DIDINSKY TATE COLLECTION



Weight	24 g
Lenses	Anti blue light / Anti reflective / Anti scratch
Optic	According to technical sheet p. 14
Powers	+ 1.0 +1.5 +2.0 +2.5 +3.0
Colors	Ash, Carrot, Ferrari, Graphite, Indigo, Klein



50 mm



21 mm



145 mm



47 mm



140 mm



TATE ASH



TATE CARROT



TATE FERRARI



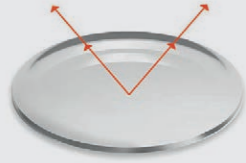
TATE KLEIN



TATE INDIGO



TATE GRAPHITE



READING GLASSES LENS CERTIFICATION

Standard: ANSI Z80.3:2015

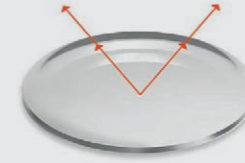
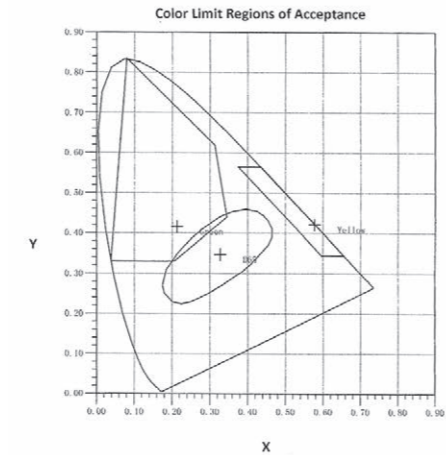
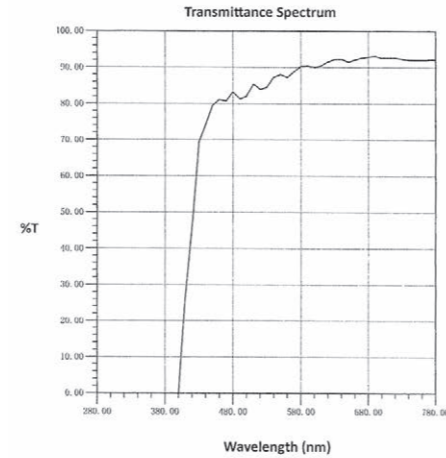
Item	Value	Requirement	Result
Lens Primary Function	Cosmetic Lens		
Luminous Transmittance Tv	87.52%	>40%	PASS
Tsig, Green Signal	86.08%	>=6.00%	PASS
Tmin (475 - 650nm)	81.33%	>=17.50%(0.2Tv)	PASS
Tmax UVB (280nm-315nm)	0.00%	<=10.94%(0.125Tv)	PASS
Tmax UVA (315nm-380nm)	0.00%	<=87.52%(Tv)	PASS
Tsb (380nm-500nm)	71.52%		

Standard: EN ISO 12312-1:2013(A1:2015)

Item	Value	Requirement	Result
Filter Category	0		
Luminous Transmittance Tv	87.46%	>80%	PASS
Tmin (475nm-650nm)	81.33%	>=17.49%(0.2Tv)	PASS
Tsuva (315nm-380nm)	0.00	<=87.46%(Tv)	PASS
Tsuvb (280nm-315nm)	0.00%	<=4.37%(0.05Tv)	PASS
Tsuv (280nm-400nm)	0.00%		
Tsb (380nm-500nm)	71.60%		
Road Use And Driving			PASS
Driving In Twilight or Night	87.46	Tv>=75%	PASS

Standard: AS/NZS 1067:2003(A1:2009)

Item	Value	Requirement	Result
Lens Category	0		
Luminous Transmittance Tv	87.48%	>80%	PASS
Tmax (280nm-315nm)	0.00%	>=4.37%(0.05Tv)	PASS
Tmax (315nm-350nm)	0.00%	>=87.48%(Tv)	PASS
Tmin (450nm-650nm)	79.53%	>=17.50%(0.2Tv)	PASS
Tsuva (315nm-400nm)	0.00%	<=87.48%(Tv)	PASS
Tsuvb (280nm-315nm)	0.00%		
Tsuv (280nm-400nm)	0.00%		
Tsb (400nm-500nm)	71.60%		



MAGNETIC GLASSES LENS CERTIFICATION

Standard: BS EN ISO 12312-1:2013+A1:2015

Item	Value	Requirement	Result
Luminous Transmittance Tv	89.07%		
Filter Category	0		
Max Tsuvb (280nm-315nm)	0.00%	<4.45%(0.05Tv)	PASS
Max Tsuva (315nm-380nm)	0.87%	<89.07%(Tv)	PASS
Tmin (475nm-650nm)	88.06%	>=17.81%(0.2Tv)	PASS
Tsuva (315nm-380nm)	0.87%		
Tsuvb (280nm-315nm)	0.00%		
Tsuv (280nm-380nm)	0.56%		
Tsb (380nm-500nm)	78.52%		

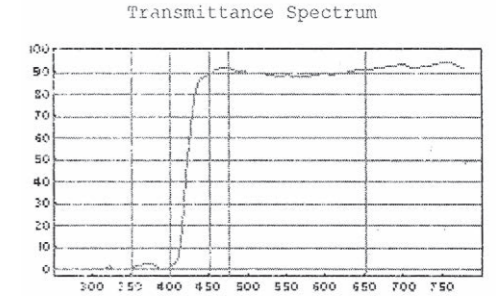
Standard: ANSI Z80.3-2010 (290nm-780nm)

High and prolonged exposure

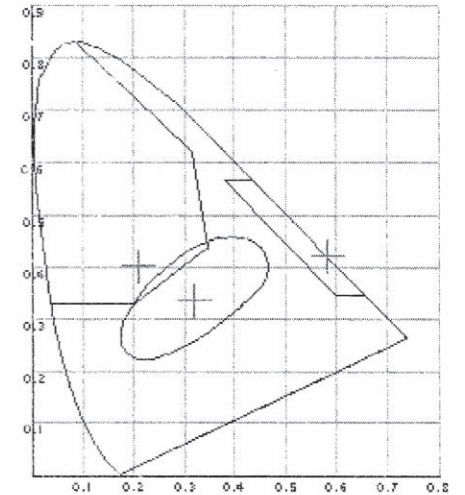
Item	Value	Requirement	Result
Luminous Transmittance Tv	89.07%		
Filter Category	(Cosmetic lens or shield, light)		
UVB (290nm-315nm)	0.00%	<=1%	PASS
UVA (315nm-380nm)	1.11%	<=44.54%(0.5Tv)	PASS
Tmin (475nm-650nm)	88.06%	>=17.81%(0.2Tv)	PASS

Standard: AS/NZS 1067:2009 (280nm-780nm)

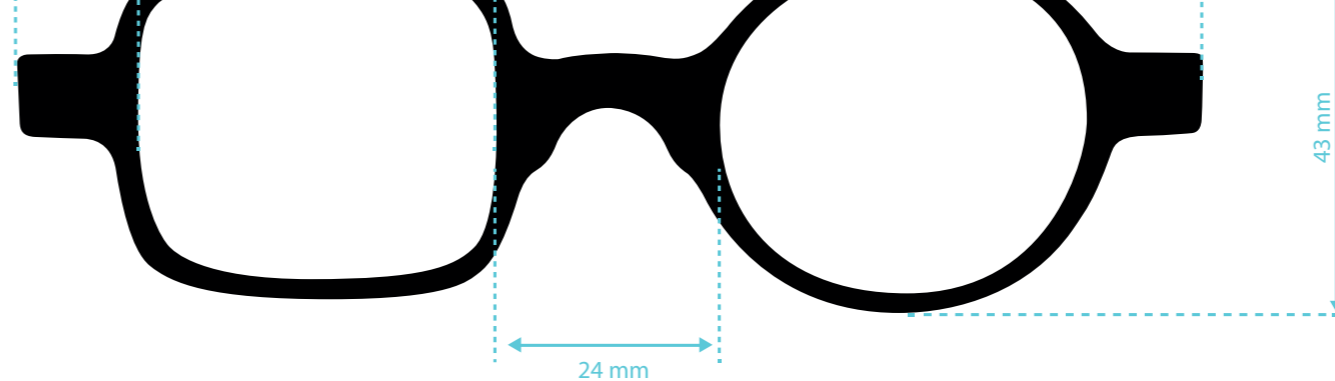
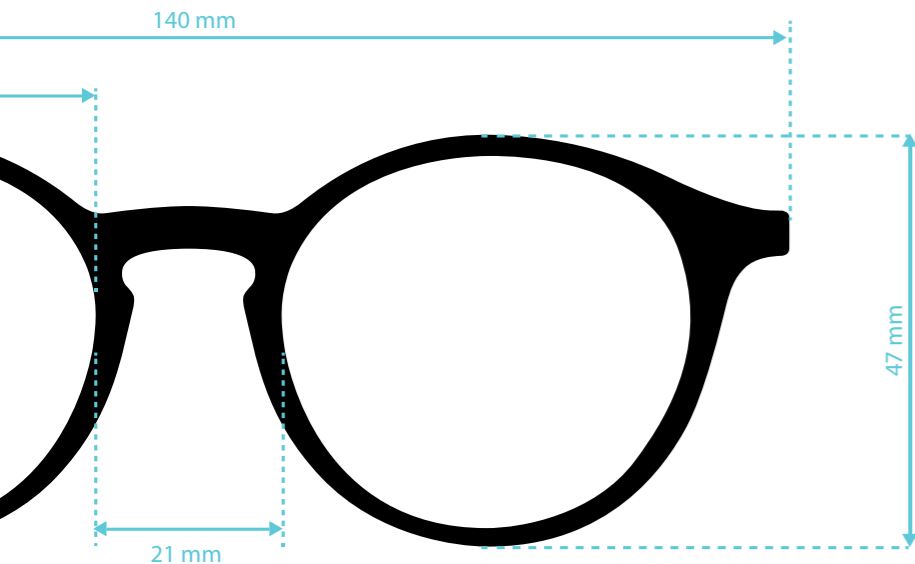
Item	Value	Requirement	Result
Luminous Transmittance Tv	89.07%		
Filter Category	0		
Tmax UVB (280nm-315nm)	0.00%	<4.45%(0.05Tv)	PASS
Tmax UVA (315nm-350nm)	2.06%	<89.07%(Tv)	PASS
Tmin (450nm-650nm)	88.06%	>=17.81%(0.2Tv)	PASS
Tsuva (315nm-400nm)	0.82%	<89.07%(Tv)	PASS
Tsuvb (280nm-315nm)	0.00%		
Tsuv (280nm-400nm)	0.55%		
Tsb (400nm-500nm)	78.76%		



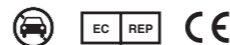
Color Limit Regions of Acceptance



DIDINSKY READING GLASSES



461 Didinsky, S.L.
08980 Sant Feliu de Llobregat | Barcelona
info@didinsky.com | www.didinsky.com



DESIGNED IN BARCELONA

ES PRECAUCIÓN

- Indicado para visión de cerca y lectura
- No apto para conducir o manejar maquinaria
- No apto para visión de lejos
- Sólo las revisiones oftalmológicas de un profesional pueden determinar sus necesidades y salud ocular

IT ATENZIONE

- Solo per la visione da vicino e per la lettura
- Non adatti per guidare
- Non può essere utilizzato per la visione a distanza
- Solo con visite oculistiche regolari è possibile scegliere un ausilio ottmale per gli occhi e determinare lo stato di salute della vista

FR PRÉCAUTION

- Destinées uniquement à la vision de près et à la lecture
- Ne pas utiliser pour la conduite de véhicules
- Ne pas utiliser pour la vision de loin
- Seule la consultation d'un ophtalmologiste permet de déterminer une éventuelle pathologie et la nature des soins

EN WARNING

- Only suited for near vision and reading
- Don't use for driving a vehicle
- Don't use for long vision
- Only the advice of an ophthalmologist is appropriate to diagnose a disorder and to determine the nature of the treatment

NL LET OP

- Enkel geschikt voor nabijzicht en lezen
- Niet gebruiken voor hetbesturen van voertuigen
- Niet gebruiken voor verzicht
- Het eventuele vaststellen van een aandoening en het bepalen van de aard van de behandeling is enkel aangewezen door een oogarts te raadplegen

DE WARNHINWEIS

- Nur zum Nahsehen und Lesen geeignet
- Nicht beim Führen von Fahrzeugen gebrauchen
- Nicht für das Sehen in die Fern geeignet
- Nur eine regelmäßige fachkundige Augenuntersuchung ermöglicht eine optimale Sehhilfe und überprüft diu Gesundheit Ihrer Augen